



Y-Strainer

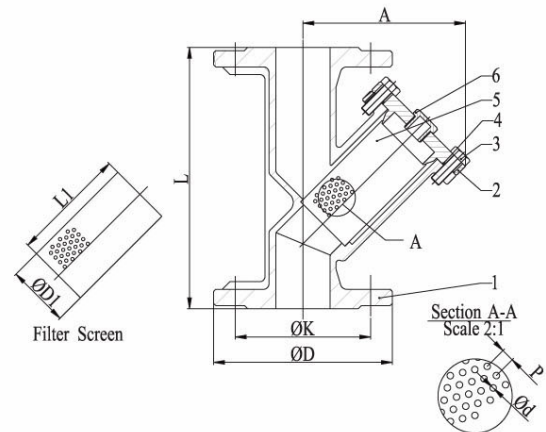
- Investment Castings For Body And Cap
- Flanged End: DIN 2501 PN16
- Face To Face : DIN 3202 F1
- Pressure Rating: PN16
- Material: CF8M,CF8,CF3M,WCB
- Pressure Test : API 598

- 法兰标准: DIN 2501 PN16
- 结构长度: DIN 3202 F1
- 公称压力: PN16
- 材 料: CF8M,CF8,CF3M,WCB
- 压力测试: API 598



MATERIAL LIST

ITEM	PART	MATERIAL	QTY
1	BODY	CF8M	1
2	COVER	CF8M	1
3	BOLT	304	4(6)
4	GASKET	PTFE	1
5	FILTER SCREEN	CF8M	1
6	BLOW OFF PLUG	CF8M	1



DIMENSION TABLE

SIZE	A	ØD	ØD1	L	L1	P	Ød	ØK	KGS
1/2"	75	95	22	130	58	2	1	65	1.79
3/4"	90	105	26	150	65	2	1	75	2.57
1"	100	115	32	160	72	2	1	85	3.60
1-1/4"	115	140	37	180	83	2	1	100	4.72
1-1/2"	130	150	47	200	95	2	1	110	6.02
2"	150	165	57	230	114	2	1	125	9.00
2-1/2"	190	185	69	290	152	3.5	2	145	12.80
3"	225	200	84	310	176	3.5	2	160	17.36
4"	230	220	105	350	180	3.5	2	180	20.03